



Since 1971

We are an established concern of more than 39 years reputation since 1971 in the filed of illumination and equipped with skilled workers and machinery's. The range of products manufactured by us are mentioned hereunder.

SUITABLE FOR GLS, FLUORESCENT T5/T8, MERCURY VAPOUR, SODIUM VAPOUR, METAL HALIDE LED LAMP AND COMPACT FLUORESCENT LAMPS.

DOMESTIC LIGHTING

DECORATIVE LIGHTING

INDUSTRIAL LIGHTING

GARDEN LIGHTING

FLOOD LIGHTING

POST TOP LANTERN

BULK HEAD FITTINGS

STREET LIGHT FITTINGS

SWIMPOOL LIGHTING

SPOT LIGHTING

AVIATION OBSTRUCTION LIGHTING

ALL TYPES OF BALLASTS (CHOKES) FOR FLUORESCENT, SODIUM VAPOUR, MERCURY VAPOUR AND METAL HALIDE LAMPS.

ELECTRONIC BALLASTS FOR FLUORESCENT LAMPS, COMPACT FLUORESCENT LAMPS, SODIUM VAPOUR LAMPS AND ADAPTERS FOR 5 TO 18 WATTS CFL LAMPS.

We are a S.S.I unit Registered with Government of Tamil Nadu and also with National Small Industries Corporation (NSIC) and our products are duly tested and certified by the Govt., Testing Laboratory, viz, CETL, KAKKALUR.

We obtained ISO 9001:2008 International Standard Certificate for manufacture and supply of Electrical Light Fittings, Luminaries and Trading of Related Accessories. Our ISO 9001:2008 certificate No: 646592

We are regular suppliers to various Government Department and to mention some of them are.

- ★ Tamil Nadu Electricity Board
- ★ Kerala State Electricity Board
- ★ Andhra Pradesh Power Generation Corporation
- ★ C.P.W.D
- ★ P.W.D
- ★ Southern Railway
- ★ Integral Coach Factory
- ★ Corporation of Chennai, Coimbatore, Madurai, Trichy, Tirunelveli and Salem
- ★ All Municipalities, Panchayat Unions & Town Panchayats in Tamil Nadu
- ★ North Chennai Thermal Power Station, Ennore Thermal Power Station, Nuclear Power Corporation Ltd., National thermal Power Corporation, Department of Atomic Energy, Department of Space - Sriharikota, Trivandrum, Mahendragiri and Bangalore.

# Nanker

Nanker Group's main business areas are R & D, production and sales of integrated circuits, silicon polish wafers, LED light fixtures and lamps. It consists of five wholly-owned subsidiary company: GUANGZHOU NANKER SEMICONDUCTOR MANUFACTURING CO., LTD., established in 2003; GUANGZHOU SILICON CO., LTD., established in 2003; ZHUHAI NANKER SILICON CO., LTD., founded in 1989; ZHUHAI NANKER ELECTRONICS CO., LTD., established in 1996; ZHUHAI NANKER INTEGRATED ELECTRONIC CO., LTD., established in 1998.

Nanker Group is one of two vertically integrated IC manufacturing companies in mainland China. It's 6-in fab is the first 6-in fab is south China. It has both advanced 0.6-micron silicon-gate and the world's most advanced 1.2-micron metal gate process production line. Nanker Group's headquarters are located at the center city of south China Guangzhou. Nanker Group employs about 800 people (of which more than 50% for a variety of professional and technical personnel), the plant covers an area of 135,000 square meters, mainly producing consumer integrated circuit chip, computer peripheral products integrated circuit chips, power devices, LED, and LED lamps, etc. more than 180 product lines, 25000 wafers per month, crystal polished wafers 30000, LED lamps 5000. Products are widely used in watches and clocks, remote control, LCD display driver,

calculator, voice, music, festival lights, keyboard, ee) phone batteries and lighting and so on.

Nanker LED Lighting is a division of Nanker (Guang-Zhou) Semiconductor Manufacturing Corp. specializes in R & D, manufacturing, sales and service of semiconductor lighting products. Since 2005, Nanker LED Lighting has been dedicated in R & D in the field of LED lighting technologies and products such as LED street lights, LED factory lights, LED ceiling lights, LED tunnel lights, LED desk lamps, LED bulbs etc., and obtained several world's first invented technologies and numerous patents mainly in the following areas:

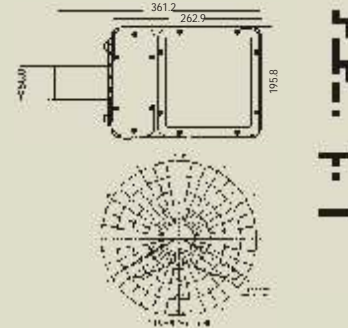
1. The world's first use of all series high voltage (300 or 400V) light source using VLSI IC packaging technologies.
2. The world's first high-voltage constant current source devices and a driving circuit with both constant voltage and current features.
3. The world's first rod-like heat sink structure used in LED lights.
4. The company uses optical lens to improve the effective usage of light source to more than 70% and light uniformity to achieve more than 0.6.

## LED STREET LIGHT

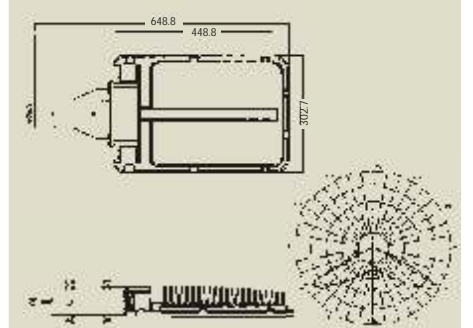
Nanker  Since 1971



Name	: LED Street Light
Part No.	: NKU - 16/8-040/1-SF
Input Power	: 60W
Luminous Flux	: 3200 lm
Luminous Efficiency	: 80 lm/w
Voltage	: 90VAC - 260VAC 24 VDC (For Solar)
Current	: 100mA / 1666mA for Solar
Frequency	: 50Hz
AC Power Factor	: 98%
DC Power Efficiency	: 94 %
Beam Angle	: 70° (50%) , 127° (50%)
Colour Temperature	: 3500 K / 6500 K
Colour Rendering Index	: Ra>80
Light Source Life	: 50,000 h
Working Temperature	: -40°C - +50°C
Working Humidity	: 10% - 90%
Housing & Lampshade	: Aluminium Alloy
IP Rating	: IP67
Colour	: Silver Grey
Size	: 361x196x63mm
Package Dimension	: 490x430x240mm (4 Pcs)
Installation	: O.D.Ø48mm
G.W. / N.W.	: 14.8 Kg. 4 Pcs / 3.3 Kg Each



Name	: LED Street Light
Part No.	: NKU - 32/8-080/2-SE
Input Power	: 80W
Luminous Flux	: 6400 lm
Luminous Efficiency	: 80lm/w
Voltage	: 90VAC - 260VAC 24 VDC (For Solar)
Current	: 200mA / 3333mA for Solar
Frequency	: 50Hz
AC Power Factor	: 98%
DC Power Efficiency	: 94 %
Beam Angle	: 72° (50%) , 127° (50%)
Colour Temperature	: 3500 K / 6500 K
Colour Rendering Index	: Ra>80
Light Source Life	: 50,000 h
Working Temperature	: -40°C - +50°C
Working Humidity	: 10% - 90%
Housing & Lampshade	: Aluminium Alloy
IP Rating	: IP67
Colour	: Silver Grey
Size	: 649x303x81mm
Package Dimension	: 700x365x140mm
Installation	: O.D.Ø60mm
G.W. / N.W.	: 9.2 Kg. 9.1 Kg Each



### Application

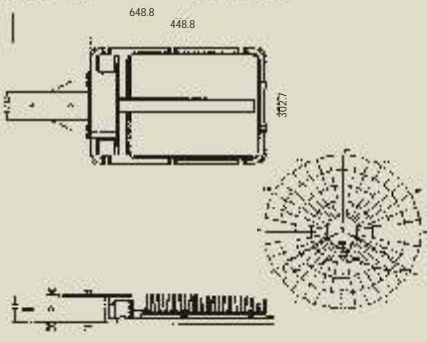
High ways, expressways, subsidiary roads, branch roads, residential roads and square, sports lighting etc.

### Product feature

- High voltage, low current, energy - saving, environment friendly, healthy and saving money.
- One-in-all design, to ensure the sealability of our products, high IP rating of water - proof and dust proof.
- Good appearance, small size and light weight, easy to install. Providing with lightninging protection device to protect luminaries from failure / damage from lightninging.
- Columnar - structured heat radiator to dissipate heat from all directions, which helps solve heat dissipation problems.



Name	: LED Street light
Part No.	: NKU -48/8-120/3-SE
Input Power	: 120W
Luminous Flux	: 9600 lm
Luminous Efficiency	: 80 lm/w
Voltage	: 90VAC - 260VAC 24 VDC (For Solar)
Current	: 300mA / 5000mA for Solar
Frequency	: 50Hz
AC Power Factor	: 98%
DC Power Efficiency	: 94 %
Beam Angle	: 72° (50%) , 127° (50%)
Colour Temperature	: 3500 K / 6500 K
Colour Rendering Index	: Ra>80
Light Source Life	: 50,000 h
Working Temperature	: -40°C - +50°C
Working Humidity	: 10% - 90%
Housing & Lampshade	: Aluminium Alloy
IP Rating	: IP67
Colour	: Silver Grey
Size	: 649x303x81mm
Package Dimension	: 700x365x140mm
Installation	: O.D.060mm
G.W. / N.W.	: 9.4kg/9.2Kg Each



**Application**

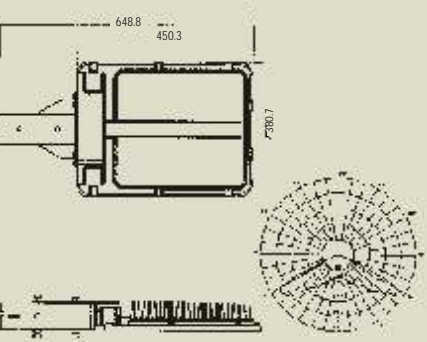
Highways, expressways, subsidiary roads, branch roads, residential roads and square, sports lighting etc.

**Product feature**

- High voltage, low current, energy - saving, environment friendly, healthy and saving money.
- One-in-all design, to ensure the sealability of our products, high IP rating of water - proof and dust proof.
- Good appearance, small size and light weight, easy to install. Providing with lightning protection device to protect luminaries from failure / damage from lightning.
- Columnar - structured heat radiator to dissipate heat from all directions, which helps solve heat dissipation problems.



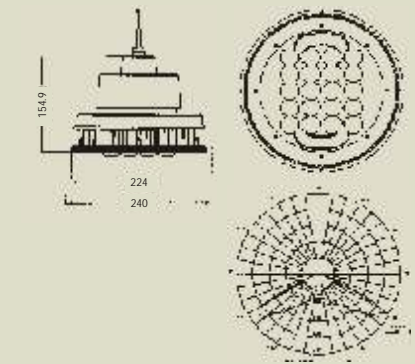
Name	: LED Street light
Part No.	: NKU -68/8-160/4-SD
Input Power	: 160W
Luminous Flux	: 12800 lm
Luminous Efficiency	: 80 lm/w
Voltage	: 90VAC - 260VAC 24 VDC (For Solar)
Current	: 400mA / 6666mA for Solar
Frequency	: 50Hz / 60Hz
AC Power Factor	: 98%
DC Power Efficiency	: 94 %
Beam Angle	: 72° (50%) , 127° (50%)
Colour Temperature	: 3500 K / 6500 K
Colour Rendering Index	: Ra>80
Light Source Life	: 50,000 h
Working Temperature	: -40°C - +50°C
Working Humidity	: 10% - 90%
Housing & Lampshade	: Aluminium Alloy
IP Rating	: IP67
Colour	: Silver Grey
Size	: 648x381x81mm
Package Dimension	: 700x440x140mm
Installation	: O.D.060mm
G.W. / N.W.	: 10.1Kg/9.7Kg Each



All dimension in mm



Name	: LED Street Light Source Assembly
Part No.	: NKU -20/12-080/20/4-HA
Input Power	: 80W
Luminous Flux	: 6400 lm
Luminous Efficiency	: 80 lm/w
Voltage	: 90VAC - 260VAC
Current	: 200mA
Frequency	: 50Hz
AC Power Factor	: 98%
DC Power Efficiency	: 94 %
Beam Angle	: 72° (50%) , 127° (50%)
Colour Temperature	: 6500 K
Colour Rendering Index	: Ra>80
Light Source Life	: 50,000 h
Working Temperature	: -40°C - +50°C
Working Humidity	: 10% - 90%
Housing & Lampshade	: Aluminium Alloy
IP Rating	: IP20
Colour	: Silver Grey
Size	: Ø 240x155
Package Dimension	: 542x542x512(8pcs)
Installation	:
G.W. / N.W.	: 15.4Kg(8pcs)/1.4Kg Each



**Application**

Highways, expressways, subsidiary roads, branch roads, residential roads and square, sports lighting etc.

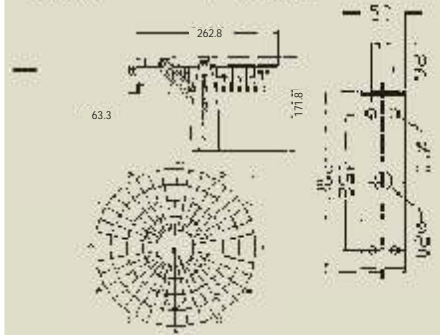
**Product feature**

- High voltage, low current, energy - saving, environment friendly, healthy and saving money.
- Adopting alluminum alloy, keeps light weight and long life.
- Can be used to replace the traditional street lighting source directly, saving much in street lights renovation projects
- Comparing with traditional lighting source, it keeps much higher brightness and lower power consumption



**LED FLOOD LIGHT**

Name	: LED Flood Light
	: Wall Wash Lamp
Part No.	: NKU -16/8-040/1-WF
Input Power	: 40W
Luminous Flux	: 3200 lm
Luminous Efficiency	: 80 lm/w
Voltage	: 90VAC - 260VAC
Current	: 100mA
Frequency	: 50Hz
AC Power Factor	: 98%
DC Power Efficiency	: 94 %
Beam Angle	: 45° (50%)
Colour Temperature	: 3500K/6500 K
Colour Rendering Index	: Ra>80
Light Source Life	: 50,000 h
Working Temperature	: -40°C - +50°C
Working Humidity	: 10% - 90%
Housing & Lampshade	: Aluminium Alloy
IP Rating	: Ip67
Colour	: Silver Grey
Size	: 263x202x63(mm)
Package Dimension	: 490x430x240(mm) (4pcs)
Installation	:
G.W. / N.W.	: 12.9Kg(4pcs)/2.8Kg Each



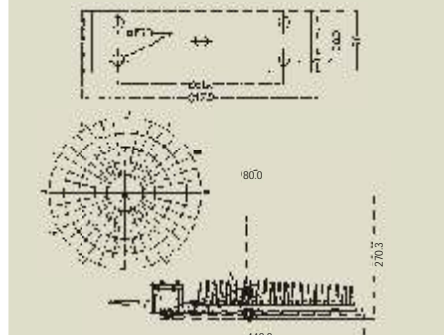
**Application**  
Tall building, sculptures, large landscape, far distance lighting outdoor billboard etc.

- Product feature**
- High voltage, low current, energy - saving, environment friendly, healthy and saving money.
  - One-in-all design and so ensure the sealability of products, high grade water proof and dust proof.
  - Adopting optical lens for light source, to gather the light distribution in a range and satisfy different lighting needs.
  - Providing with lightening protection device to protect luminaries from failure / damage from lightning.
  - Beautiful appearance, made with black tempered glass, making the products look superior and stereoscopic.
  - Columnar - structured heat radiator to dissipate heat from all directions, which helps to solve heat dissipation problems.



**LED FLOOD LIGHT**

Name	: LED Flood Light
	: Wall Wash Lamp
Part No.	: NKU -16/8-120/3-WE
Input Power	: 120W
Luminous Flux	: 9600 lm
Luminous Efficiency	: 80 lm/w
Voltage	: 90VAC - 260VAC
Current	: 300mA
Frequency	: 50Hz
AC Power Factor	: 98%
DC Power Efficiency	: 94 %
Beam Angle	: 45° (50%)
Colour Temperature	: 3500K/6500 K
Colour Rendering Index	: Ra>80
Light Source Life	: 50,000 h
Working Temperature	: -40°C - +50°C
Working Humidity	: 10% - 90%
Housing & Lampshade	: Aluminium Alloy
IP Rating	: Ip67
Colour	: Silver Grey
Size	: 449x317x63(mm)
Package Dimension	: 540x380x150(mm)
Installation	:
G.W. / N.W.	: 9.1Kg/8.4Kg Each



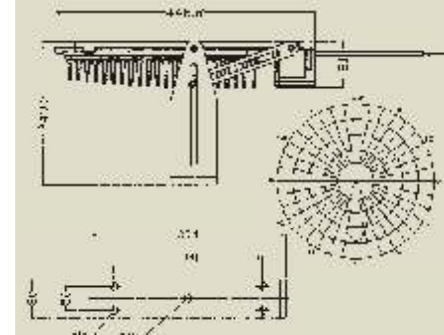
**Application**  
Tall building, sculptures, large landscape, far distance lighting outdoor billboard etc.

- Product feature**
- High voltage, low current, energy - saving, environment friendly, healthy and saving money.
  - One-in-all design and so ensure the sealability of products, high grade water proof and dust proof.
  - Adopting optical lens for light source, to gather the light distribution in a range and satisfy different lighting needs.
  - Providing with lightening protection device to protect luminaries from failure / damage from lightning.
  - Beautiful appearance, made with black tempered glass, making the products look superior and stereoscopic.
  - Columnar - structured heat radiator to dissipate heat from all directions, which helps to solve heat dissipation problems.



**LED FLOOD LIGHT**

Name	: LED Flood Light Head
	: Wall Wash Lamp
Part No.	: NKU -16/8-160/4-WD
Input Power	: 160W
Luminous Flux	: 12800 lm
Luminous Efficiency	: 80 lm/w
Voltage	: 90VAC - 260VAC
Current	: 400mA
Frequency	: 50Hz
AC Power Factor	: 98%
DC Power Efficiency	: 94 %
Beam Angle	: 45° (50%)
Colour Temperature	: 3500K/6500 K
Colour Rendering Index	: Ra>80
Light Source Life	: 50,000 h
Working Temperature	: -40°C - +50°C
Working Humidity	: 10% - 90%
Housing & Lampshade	: Aluminium Alloy
IP Rating	: Ip67
Colour	: Silver Grey
Size	: 449x394x81(mm)
Package Dimension	: 540x445x175(mm)
Installation	:
G.W. / N.W.	: 11.1Kg/9.9Kg Each



All dimension in mm



LED HIGHBAY LIGHT



Name	: LED Highbay Light
Part No.	: NKU -20/25-030/4-FB
Input Power	: 30W
Luminous Flux	: 2400 lm
Luminous Efficiency	: 80 lm/w
Voltage	: 220 - 240VAC
Current	: 100mA
Frequency	: 50Hz
AC Power Factor	: 92%
DC Power Efficiency	: 94 %
Beam Angle	: 93° (50%)
Colour Temperature	: 6500 K
Colour Rendering Index	: Ra>80
Light Source Life	: 50,000 h
Working Temperature	: -40°C - +50°C
Working Humidity	: 10% - 90%
Housing & Lampshade	: Aluminium Alloy & PC
IP Rating	: Ip20
Colour	: Silver Grey
Size	: Ø 196 x 214 (mm)
Installation	:
G.W. / N.W.	: 1.3Kg Each



**Application**

Factory line, warehouse, highway toll stations, gas stations, supermarkets, exhibition halls stadiums etc.

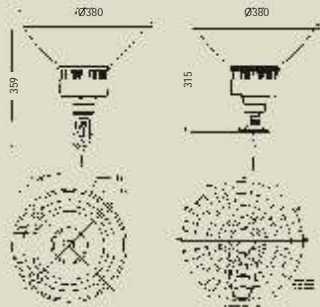
**Product feature**

- High voltage, low current, energy - saving, environment friendly, healthy and saving money.
- Use aluminium alloy material, easy to transport, have uniform light and high effective reflection
- It is available to hang it up with hook or hanging plate, as well as add pole between the lame holder and hanging plate (or hook) per request

LED HIGHBAY LIGHT



Name	: LED Highbay Light
Part No.	: NKU -64/4-060/2-FB
Input Power	: 60W
Luminous Flux	: 4800 lm
Luminous Efficiency	: 80 lm/w
Voltage	: 90VAC - 277VAC
Current	: 150mA
Frequency	: 50Hz
AC Power Factor	: 98%
DC Power Efficiency	: 94 %
Beam Angle	: 73° (50%)
Colour Temperature	: 6500 K
Colour Rendering Index	: Ra>80
Light Source Life	: 50,000 h
Working Temperature	: -40°C - +50°C
Working Humidity	: 10% - 90%
Housing & Lampshade	: Aluminium Alloy
IP Rating	: Ip20
Colour	: Silver Grey
Size	: Ø 380x359(mm)(Hook) Ø 380x315(mm)(Sucker)
Package Dimension	: 430x430x330(mm)
Installation	: Hook with a Stick / Sucker with a Stick
G.W. / N.W.	: 3Kg/1.1Kg Each

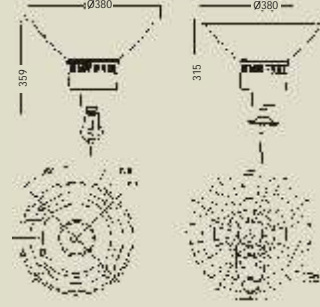


All dimension in mm

LED HIGHBAY LIGHT



Name	: LED Highbay Light
Part No.	: NKU -64/4-080/2-FB
Input Power	: 80W
Luminous Flux	: 6400 lm
Luminous Efficiency	: 80 lm/w
Voltage	: 90VAC - 277VAC
Current	: 200mA
Frequency	: 50Hz
AC Power Factor	: 98%
DC Power Efficiency	: 94 %
Beam Angle	: 73° (50%)
Colour Temperature	: 6500 K
Colour Rendering Index	: Ra>80
Light Source Life	: 50,000 h
Working Temperature	: -40°C - +50°C
Working Humidity	: 10% - 90%
Housing & Lampshade	: Aluminium Alloy
IP Rating	: Ip20
Colour	: Silver Grey
Size	: Ø 380x359(mm)(Hook) Ø 380x315(mm)(Sucker)
Package Dimension	: 430x430x330(mm)
Installation	: Hook with aStick/ Sucker with a Stick
G.W. / N.W.	: 3Kg/1.1Kg Each



**Application**

Factory line, warehouse, highway toll stations, gas stations, supermarkets, exhibition halls stadiums etc.

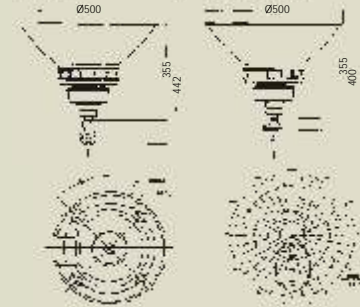
**Product feature**

- High voltage, low current, energy - saving, environment friendly, healthy and saving money.
- Use aluminium alloy material, easy to transport, have uniform light and high effective reflection
- It is available to hang it up with hook or hanging plate, as well as add pole between the lame holder and hanging plate (or hook) per request

LED HIGHBAY LIGHT



Name	: LED Highbay Light
Part No.	: NKU -20/25-120/4-FB
Input Power	: 120W
Luminous Flux	: 9600 lm
Luminous Efficiency	: 80 lm/w
Voltage	: 90VAC - 277VAC
Current	: 300mA
Frequency	: 50Hz
AC Power Factor	: 98%
DC Power Efficiency	: 94 %
Beam Angle	: 71° (50%)
Colour Temperature	: 6500 K
Colour Rendering Index	: Ra>80
Light Source Life	: 50,000 h
Working Temperature	: -40°C - +50°C
Working Humidity	: 10% - 90%
Housing & Lampshade	: Aluminium Alloy
IP Rating	: Ip20
Colour	: Silver Grey
Size	: Ø 500x442(mm)(Hook) Ø 500x400(mm)(Sucker)
Package Dimension	: 560x560x420(mm)
Installation	: Hook with aStick/ Sucker with a Stick
G.W. / N.W.	: 5.0Kg/2.5Kg Each

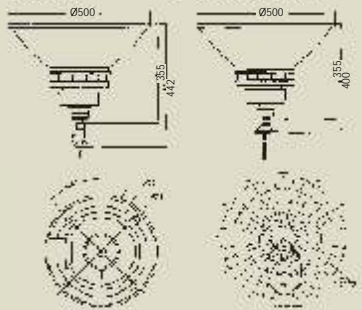


All dimension in mm

LED HIGH BAY LIGHT



Name	: LED High Bay Light
Part No.	: NKU -20/25-160/4-FB
Input Power	: 160W
Luminous Flux	: 12800 lm
Luminous Efficiency	: 80 lm/w
Voltage	: 90VAC - 277VAC
Current	: 400mA
Frequency	: 50Hz
AC Power Factor	: 98%
DC Power Efficiency	: 94 %
Beam Angle	: 71° (50%)
Colour Temperature	: 6500 K
Colour Rendering Index	: Ra>80
Light Source Life	: 50,000 h
Working Temperature	: -40°C - +50°C
Working Humidity	: 10% - 90%
Housing & Lampshade	: Aluminium Alloy
IP Rating	: Ip20
Colour	: Silver Grey
Size	: Ø 500x442(mm)(Hook) Ø 500x400(mm)(Sucker)
Package Dimension	: 560x560x420(mm)
Installation	: Hook with aStick/ Sucker with a Stick
G.W. / N.W.	: 5.0Kg/2.5Kg Each



All dimension in mm

**Application**

Factory line, warehouse, highway toll stations, gas stations, supermarkets, exhibition halls stadiums, basement, cement plant etc. which is full of oil stain or heavy dust.

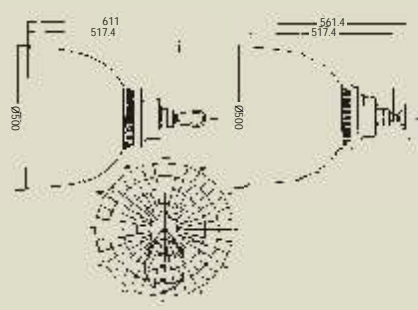
**Product feature**

- High voltage, low current, energy - saving, environment friendly, healthy and saving money.
- Use aluminium alloy material, easy to transport, have uniform light and high effective reflection
- It is available to hang it up with hook or hanging plate, as well as add pole between the lamp holder and hanging plate (or hook) per request

LED HIGH BAY LIGHT WITH PC REFLECTOR



Name	: LED high bay Light with PC reflector
Part No.	: NKU -20/25-120/4-FD
Input Power	: 120W
Luminous Flux	: 9600 lm
Luminous Efficiency	: 80 lm/w
Voltage	: 90VAC - 277VAC
Current	: 300mA
Frequency	: 50Hz
AC Power Factor	: 98%
DC Power Efficiency	: 94 %
Beam Angle	: 71° (50%)
Colour Temperature	: 6500 K
Colour Rendering Index	: Ra>80
Light Source Life	: 50,000 h
Working Temperature	: -40°C - +50°C
Working Humidity	: 10% - 90%
Housing & Lampshade	: Aluminium Alloy
IP Rating	: Ip20
Colour	: Silver Grey
Size	: Ø 500x611(mm)(Hook) Ø 500x561(mm)(Sucker)
Package Dimension	: 560x560x585(mm)
Installation	: Hook with aStick/ Sucker with a Stick
G.W. / N.W.	: 7.6Kg/3.2Kg Each



**Application**

Factory line, warehouse, highway toll stations, gas stations, supermarkets, exhibition halls, stadium etc.

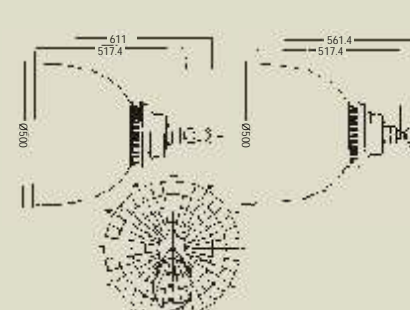
**Product feature**

- High voltage, low current, energy - saving, environment friendly, healthy and saving money.
- With PC material, glittering and translucent.
- It is available to hang it up with hook or hanging plate, as well as add pole between the lamp holder and hanging plate (or hook) per request.

LED HIGH BAY LIGHT WITH PC REFLECTOR



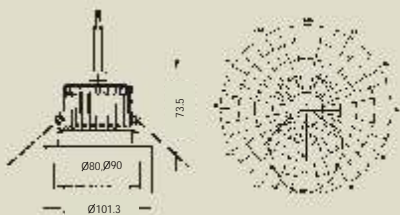
Name	: LED high bay Light with PC reflector
Part No.	: NKU -20/25-160/4-FD
Input Power	: 160W
Luminous Flux	: 12800 lm
Luminous Efficiency	: 80 lm/w
Voltage	: 90VAC - 277VAC
Current	: 400mA
Frequency	: 50Hz
AC Power Factor	: 98%
DC Power Efficiency	: 94 %
Beam Angle	: 71° (50%)
Colour Temperature	: 6500 K
Colour Rendering Index	: Ra>80
Light Source Life	: 50,000 h
Working Temperature	: -40°C - +50°C
Working Humidity	: 10% - 90%
Housing & Lampshade	: Aluminium Alloy
IP Rating	: Ip20
Colour	: Silver Grey
Size	: Ø 500x611(mm)(Hook) Ø 500x561(mm)(Sucker)
Package Dimension	: 560x560x585(mm)
Installation	: Hook with a Stick/ Sucker with a Stick
G.W. / N.W.	: 7.6Kg/3.2Kg Each



All dimension in mm



Name	: LED Down lights
Part No.	: NKX -24/4-007/1-CA
Input Power	: 7.5W
Luminous Flux	: 560 lm
Luminous Efficiency	: 80 lm/w
Voltage	: 220 - 240VAC
Current	: 25mA
Frequency	: 50Hz
AC Power Factor	: 45%
DC Power Efficiency	: 94 %
Beam Angle	: 107° (50%)
Colour Temperature	: 3500K/6500 K
Colour Rendering Index	: Ra>80
Light Source Life	: 50,000 h
Working Temperature	: -40°C - +50°C
Working Humidity	: 10% - 90%
Housing & Lampshade	: Aluminium Alloy
IP Rating	: Ip20
Colour	: Silver Grey
Size	: Ø 101x74(mm)
Cut-Size	: 80<Ø<95(mm)
Package Dimension	: 640x390x265(mm)
Installation	: Recessed
G.W. / N.W.	: 11.5Kg(30pcs)/0.3Kg Each



**Application**

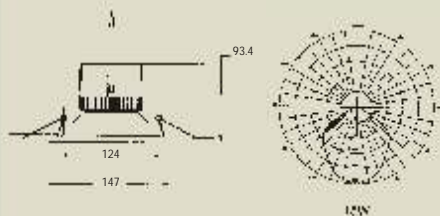
Suitable using in the shopping malls, supermarkets, shops, lobbies, halls, exhibition halls, offices, hotels, restaurants etc.

**Product feature**

- High voltage, low current, energy - saving, environment friendly, healthy and saving money.
- Using the purty aluminum for th cup of ceiling, anti-oxidation, constant color, soft lighting and high effective reflection



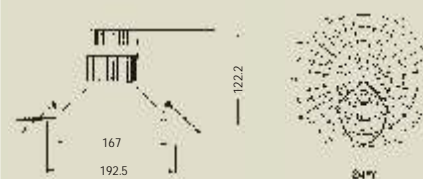
Name	: LED Down Lights
Part No.	: NKX -24/4-015/1-CD
Input Power	: 15W
Luminous Flux	: 1200 lm
Luminous Efficiency	: 80 lm/w
Voltage	: 220 - 240VAC
Current	: 50mA
Frequency	: 50Hz
AC Power Factor	: 45%
DC Power Efficiency	: 94 %
Beam Angle	: 107° (50%)
Colour Temperature	: 3500K/6500 K
Colour Rendering Index	: Ra>80
Light Source Life	: 50,000 h
Working Temperature	: -40°C - +50°C
Working Humidity	: 10% - 90%
Housing & Lampshade	: Aluminium Alloy
IP Rating	: Ip20
Colour	: Silver Grey
Size	: Ø 147x93(mm)
Cut-Size	: 124<Ø<137(mm)
Package Dimension	:
Installation	: recessed
G.W. / N.W.	: 6.1Kg(12pcs)/0.3Kg Each



All dimension in mm



Name	: LED Down Lights
Part No.	: NKX -24/4-024/1-CE
Input Power	: 24W
Luminous Flux	: 1920 lm
Luminous Efficiency	: 80 lm/w
Voltage	: 220 - 240VAC
Current	: 80mA
Frequency	: 50Hz
AC Power Factor	: 45%
DC Power Efficiency	: 94 %
Beam Angle	: 93° (50%)
Colour Temperature	: 3500K/6500 K
Colour Rendering Index	: Ra>80
Light Source Life	: 50,000 h
Working Temperature	: -40°C - +50°C
Working Humidity	: 10% - 90%
Housing & Lampshade	: Aluminium Alloy
IP Rating	: Ip20
Colour	: Silver Grey
Size	: Ø193x142(mm)
Cut-Size	: 167<Ø<186(mm)
Package Dimension	:
Installation	: recessed
G.W. / N.W.	: 9.2Kg(12pcs)/0.4Kg Each



**Application**

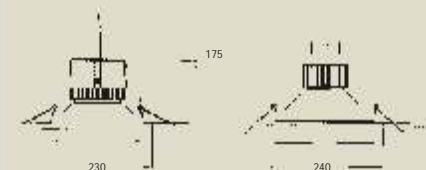
Suitable using in the shopping malls, supermarkets, shops, lobbies, halls, exhibition halls, offices, hotels, restaurants etc.

**Product feature**

- High voltage, low current, energy - saving, environment friendly, healthy and saving money.
- Using the purty aluminum for th cup of ceiling, anti-oxidation, constant color, soft lighting and high effective reflection



Name	: LED Down Lights
Part No.	: NKX -60/4-060/2-CC
Input Power	: 60W
Luminous Flux	: 4800 lm
Luminous Efficiency	: 80 lm/w
Voltage	: 220 - 240VAC
Current	: 150mA
Frequency	: 50Hz
AC Power Factor	: 98%
DC Power Efficiency	: 94 %
Beam Angle	: 93° (50%)
Colour Temperature	: 6500K
Colour Rendering Index	: Ra>80
Light Source Life	: 50,000 h
Working Temperature	: -40°C - +50°C
Working Humidity	: 10% - 90%
Housing & Lampshade	: Aluminium Alloy&PC
IP Rating	: Ip20
Colour	: Silver Grey
Size	: Ø230x175(mm)Or Ø240x175(mm)
G.W. / N.W.	: 0.78Kg Each

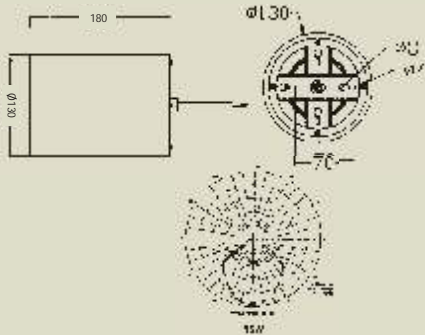


All dimension in mm

SURFACE MOUNTING LED DOWN LIGHT



Name	: Surface Mounting LED Down Light
Part No.	: NKX -24/4-015/1-PA
Input Power	: 15W
Luminous Flux	: 1200 lm
Luminous Efficiency	: 80 lm/w
Voltage	: 220 - 240VAC
Current	: 50mA
Frequency	: 50Hz
AC Power Factor	: 45%
DC Power Efficiency	: 94%
Beam Angle	: 107° (50%)
Colour Temperature	: 3500K/6500 K
Colour Rendering Index	: Ra>80
Light Source Life	: 50,000 h
Working Temperature	: -40°C - +50°C
Working Humidity	: 10% - 90%
Housing & Lampshade	: Aluminium Alloy
IP Rating	: Ip20
Colour	: Silver Grey
Size	: Ø130x180(mm)
Package Dimension	: 55x418x415(mm)(24pcs)
Installation	: Pendant
G.W. / N.W.	: 12.6Kg(24pcs)/0.4Kg Each



**Application**

Suitable using in the shopping malls, supermarkets, shops, lobbies, halls, exhibition halls, offices, hotels, restaurants etc.

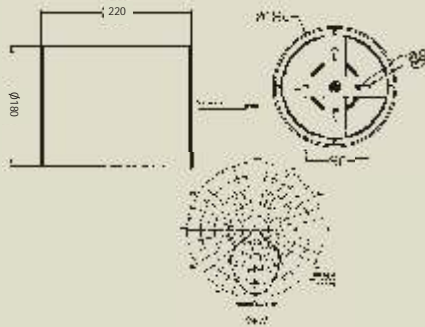
**Product feature**

- High voltage, low current, energy - saving, environment friendly, healthy and saving money.
- Using the purity aluminum for th cup of ceiling, anti-oxidation, constant color, soft lighting and high effective reflection

SURFACE MOUNTING LED DOWN LIGHT



Name	: Surface Mounting LED Down Light
Part No.	: NKX -24/4-024/1-PB
Input Power	: 24W
Luminous Flux	: 1920 lm
Luminous Efficiency	: 80 lm/w
Voltage	: 220 - 240VAC
Current	: 80mA
Frequency	: 50Hz
AC Power Factor	: 45%
DC Power Efficiency	: 94%
Beam Angle	: 93° (50%)
Colour Temperature	: 3500K/6500 K
Colour Rendering Index	: Ra>80
Light Source Life	: 50,000 h
Working Temperature	: -40°C - +50°C
Working Humidity	: 10% - 90%
Housing & Lampshade	: Aluminium Alloy
IP Rating	: Ip20
Colour	: Silver Grey
Size	: Ø180x220(mm)
Package Dimension	: 568x382x495(mm)(12pcs)
Installation	: Pendant
G.W. / N.W.	: 10.3Kg(12pcs)/0.6Kg Each



All dimension in mm

SURFACE MOUNTING LED DOWN LIGHT ROUND SHAPE



Name	: Surface Mounting LED Down Light Round Shape
Part No.	: NKX 20/42 - 020 / 4 - CB
Input Power	: 20 W
Luminous Flux	: 1600 lm
Luminous Efficiency	: 80 lm/w
Voltage	: 220 - 240VAC
Current	: 80mA
Frequency	: 50Hz
AC Power Factor	: 92%
DC Power Efficiency	: 94%
Beam Angle	: 120° (50%)
Colour Temperature	: 6500 K
Colour Rendering Index	: Ra>80
Light Source Life	: 50,000 h
Working Temperature	: -40°C - +50°C
Working Humidity	: 10% - 90%
Housing & Lampshade	: Aluminium Alloy & Glass
IP Rating	: Ip20
Colour	: Silver Grey
Size	: Ø 322 x 100 (mm)
Installation	:
G.W. / N.W.	: 0.48 kg Each



**Application**

Can be used in reading room, workshops, studio and other areas, such as factory dormitories, schools, offices, hotels bedroom and hotel etc.

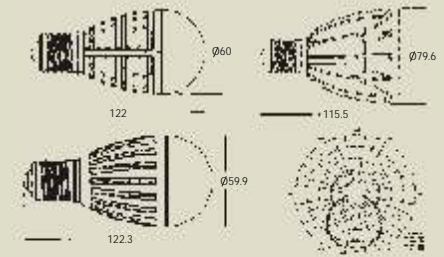
**Product feature**

- High voltage, low current, energy - saving, environment friendly, healthy and saving money.
- Good design, colorful, can replace the traditional incandescent and energy - saving lamps
- Radiator with columnar structure, high technology way for heat dissipation, high efficiency of heat dissipation

LED LIGHT BULB



Name	: LED Lights Bulb
Part No.	: NKX -42/1-004/1-BA NKX -421-004/1-BC NKX -42/1-004/1-BD
Input Power	: 4W
Luminous Flux	: 400 lm
Luminous Efficiency	: 100 lm/w
Voltage	: 220 - 240VAC
Current	: 13mA
Frequency	: 50Hz
AC Power Factor	: 45%
DC Power Efficiency	: 94%
Beam Angle	: 115° (50%)
Colour Temperature	: 3500K/6500 K
Colour Rendering Index	: Ra>80
Light Source Life	: 50,000 h
Working Temperature	: -40°C - +50°C
Working Humidity	: 10% - 90%
Housing & Lampshade	: Aluminium Alloy+PC
IP Rating	: Ip20
Colour	: Variety
Size	:
Package Dimension	:
Installation	: E27 /B22
G.W. / N.W.	:

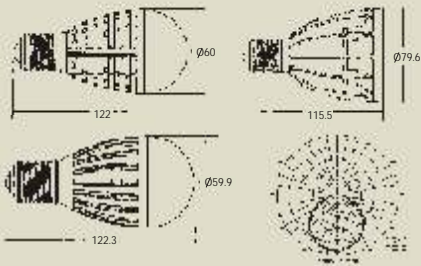


All dimension in mm





Name	: LED Lights Bulb
Part No.	: NKX -42/1-006/1-BA NKX -42/1-006/1-BC NKX -42/1-006/1-BD
Input Power	: 6W
Luminous Flux	: 600 lm
Luminous Efficiency	: 100 lm/w
Voltage	: 220 - 240VAC
Current	: 20mA
Frequency	: 50Hz
AC Power Factor	: 45%
DC Power Efficiency	: 94 %
Beam Angle	: 115° (50%)
Colour Temperature	: 3500K/6500 K
Colour Rendering Index	: Ra>80
Light Source Life	: 50,000 h
Working Temperature	: -40°C - +50°C
Working Humidity	: 10% - 90%
Housing & Lampshade	: Aluminium Alloy
IP Rating	: Ip20
Colour	: Variety
Size	:
Package Dimension	:
Installation	: E27 / B22
G.W. / N.W.	:



**Application**

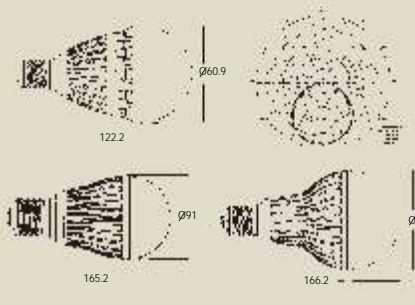
Can be used in reading room, workshops, studio and other areas, such as factory dormitories, schools, offices, hotels bedroom and hotel etc.

**Product feature**

- High voltage, low current, energy - saving, environment friendly, healthy and saving money.
- Good design, colorful, can replace the traditional incandescent and energy - saving lamps
- Radiator with columnar structure, high technology way for heat dissipation, high efficiency of heat dissipation



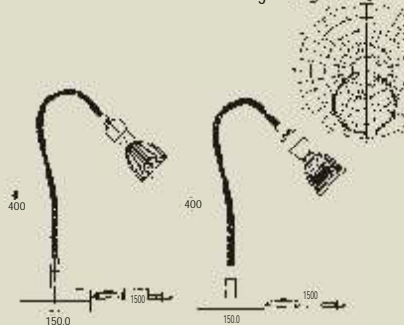
Name	: LED Lights Bulb
Part No.	: NKX -84/1-012/2-BE
Input Power	: 12W
Luminous Flux	: 1200 lm
Luminous Efficiency	: 100 lm/w
Voltage	: 220 - 240VAC
Current	: 40mA
Frequency	: 50Hz
AC Power Factor	: 45%
DC Power Efficiency	: 94 %
Beam Angle	: 115° (50%)
Colour Temperature	: 3500K/6500 K
Colour Rendering Index	: Ra>80
Light Source Life	: 50,000 h
Working Temperature	: -40°C - +50°C
Working Humidity	: 10% - 90%
Housing & Lampshade	: Aluminium Alloy
IP Rating	: Ip20
Colour	: Variety
Size	:
Package Dimension	:
Installation	: E27 / B22
G.W. / N.W.	:



All dimension in mm



Name	: LED DeskLights
Part No.	: NKX -42/1-004/1-RA NKX -42/1-006/1-RA NKX -42/1-007.5/1-RA
Input Power	: 4-6-7.5W
Luminous Flux	: 400-600 -800lm
Luminous Efficiency	: 100 lm/w
Voltage	: 220 - 240VAC
Current	: 13-20-27mA
Frequency	: 50Hz
AC Power Factor	: 45%
DC Power Efficiency	: 94 %
Beam Angle	:
Colour Temperature	: 4500K/6500 K
Colour Rendering Index	: Ra>80
Light Source Life	: 50,000 h
Working Temperature	: -40°C - +50°C
Working Humidity	: 10% - 90%
Housing & Lampshade	: Aluminium Alloy
IP Rating	: Ip20
Colour	: Variety
Size	:
Package Dimension	: 160x160x205(mm)
Installation	:
G.W. / N.W.	: 1.26Kg/1.12Kg



**Application**

Can be used in reading room, workshops, studio and other areas, such as factory dormitories, schools, offices, hotels bedroom and hotel etc.

**Product feature**

- High voltage, low current, energy - saving, environment friendly, healthy and saving money.
- With LED bulb, soft, stable, and smooth lighting in large area



Name	: LED Tube Light
Part No.	: NKX -84/1-009/1-DC NKX -126/1-012/3-DB NKX-168/1-018/2-DA NKX252/1-024/3-DD
Input Power	: 9-12-18-24W
Luminous Flux	: 900-1200 -1800 - 2400lm
Luminous Efficiency	: 100 lm/w
Voltage	: 220 - 240VAC
Current	: 30-40-60-90 mA
Frequency	: 50Hz
AC Power Factor	: 45%
DC Power Efficiency	: 94 %
Beam Angle	: 115°(50%)
Colour Temperature	: 6500 K
Colour Rendering Index	: Ra>80
Light Source Life	: 50,000 h
Working Temperature	: -40°C - +50°C
Working Humidity	: 10% - 90%
Housing & Lampshade	: Plastic + Aluminium Alloy
IP Rating	: Ip20
Colour	: Silver Grey
Size	: 600 - 900 -1200 - 1500 (mm)
Package Dimension	: 630 x 34 0x 170 (mm) (50pcs) 930 x330 x 170 (mm) (50pcs) 1230 x 330 x 170 (mm) (50pcs) 1530 x 330 x 170 (mm) (50pcs)
Installation	:
G.W. / N.W.	: 9.6Kg-0.14Kg / 14Kg - 0.2 Kg 18.8Kg - 0.26 Kg / 24Kg - 0.34 Kg (50 Pcs)



All dimension in mm

**Application**

Factory workshop, office, warehouse, supermarket, hotel etc.

**Product feature**

- High voltage, low current, energy - saving, environment friendly, healthy and saving money.
- PVC and aluminium alloy, stronger than traditional fluorescent lamp
- Quick start, no need ballast and starter
- No flashing, be good for eyes; no noise, it should be better applied in area which is clean and tidy.
- Comparing with the traditional tubes, our LED tubes have the following advantages: No UV, Noise, Hg, Not Frangible